

Mecmesin

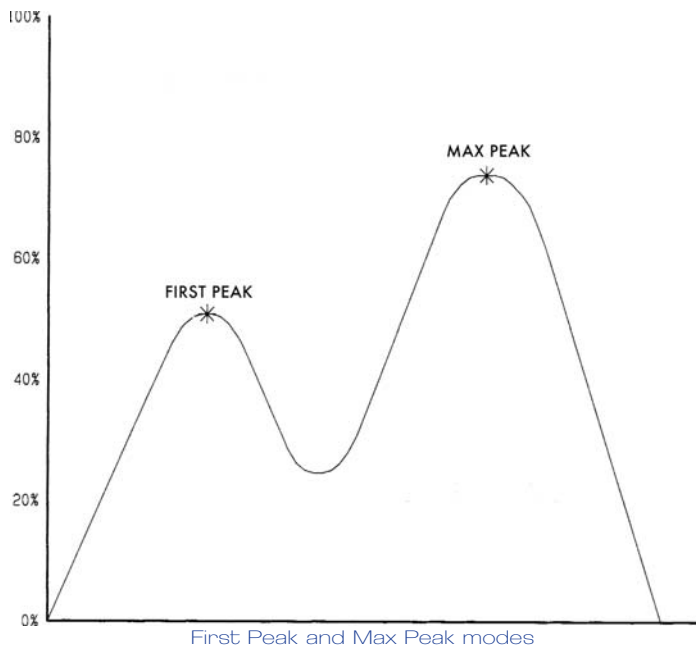
testing to perfection

Torque Wrench Calibrator

- accurate
- easy-to-use
- fast operation
- economical solution
- modular system
- compact and portable
- rugged and reliable



TWC shown testing a mechanical torque wrench



accurate
portable
easy-to-use

The Mecmesin Torque Wrench Calibrator (TWC) is a versatile, easy-to-use system, which can verify the torque applied by any type of 'click action', 'break back' or dial indicator torque wrench with ease. Based on the AFTI universal force and torque display and designed as a modular system, the TWC is the ultimate in flexibility. The standard system is supplied with its own dedicated transducer connected to the AFTI, but for added flexibility a range of different "smart" transducers are available to allow testing up to 1000N.m.

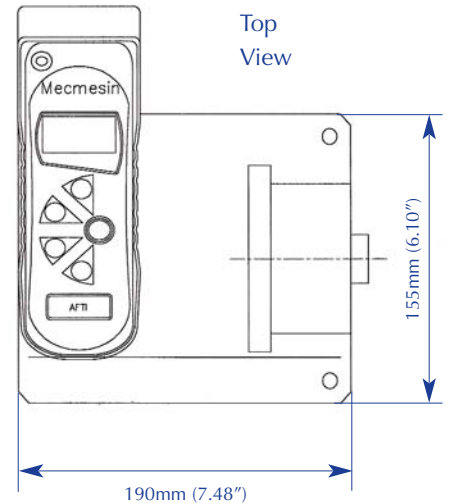
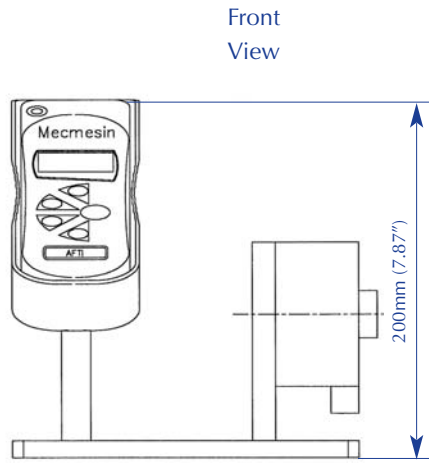
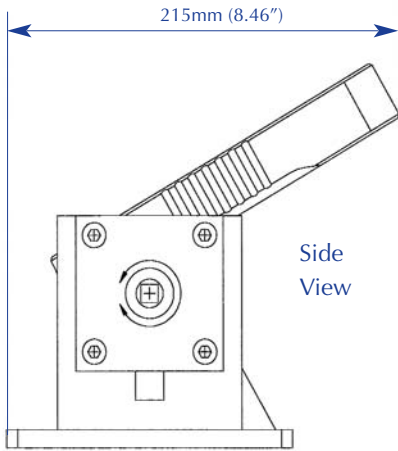
Three operating modes cover all common testing requirements. 'Normal' mode shows the live value, 'First Peak' mode records the true 'click torque' and 'Max' mode records the highest value. The TWC is easily reset using the push button torque zeroing facility.

Battery-powered, the TWC is a portable instrument ideal for use in calibration laboratories and production lines. It also has an inbuilt RS232 interface to download data to a printer or PC for further statistical analysis.

Mecmesin

testing to perfection

Dimensions mm (inch)



Specifications

Model	Rated Torque Range (F.S.D)	N-m	kg-m	Resolution			SQ. drive
				kg-cm	lb-ft	lb-in	
TWC 1	15N-m/11lb-ft	15 x 0.003	1.5 x 0.0003	150 x 0.03	11 x 0.003	130 x 0.03	3/8"
TWC 2	60N-m/44lb-ft	60 x 0.02	6 x 0.002	600 x 0.2	44 x 0.009	520 x 0.2	3/8"
TWC 3	100N-m/72lb-ft	100 x 0.02	10 x 0.002	1000 x 0.2	72 x 0.02	870 x 0.2	1/2"
TWC 4	150N-m/110lb-ft	150 x 0.03	15 x 0.003	1500 x 0.3	110 x 0.03	1300 x 0.3	1/2"
TWC 5	600N-m/440lb-ft	600 x 0.2	60 x 0.02	6000 x 2.0	440 x 0.09	-	3/4"
TWC 6	1000N-m/720lb-ft	1000 x 0.2	100 x 0.02	10000 x 2.0	720 x 0.2	-	1"

Standard Accuracy: $\pm 0.5\%$ of full scale

AFTI Specifications

Operating Temperature: $20^{\circ}\text{C} \pm 2^{\circ}\text{C}$

Output:

RS232-C: 8 data bits, 1 Start bit, 1 Stop bit, no parity

Digimatic

Analogue

Mecmesin reserves the right to alter equipment specifications without prior notice.

Mecmesin

Force and Torque Test Solutions

Mecmesin Limited

Newton House, Spring Copse Business Park, Slinfold
West Sussex RH13 0SZ, England

Tel +44 (0) 1403 799979 Fax +44 (0) 1403 799975
e-mail info@mecmesin.com www.mecmesin.com

Mecmesin Corporation

45921 Maries Road, Suite 120, Sterling
Virginia 20166, U.S.A.

Tel +1 703 433 9247 Fax +1 703 444 9860

e-mail info@mecmesincorp.com www.mecmesin.com

Mecmesin Asia Co Ltd

91/1 Chaiyo Building
11th Floor, Room 1103, Rama 9 Road, Huaykwang,
Bangkok 10310, Thailand

Tel +66 2 247 4681 Fax +66 2 247 4682

e-mail sales@mecmesinasia.com www.mecmesin.com



DISTRIBUTOR STAMP

431-018-01